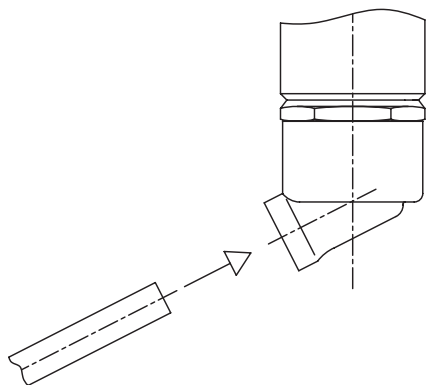


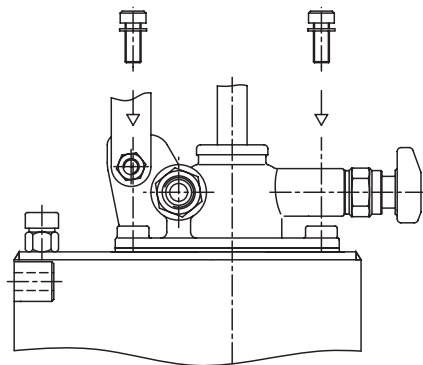
Mounting of pum inside the tank

1 Mounting the suction hose



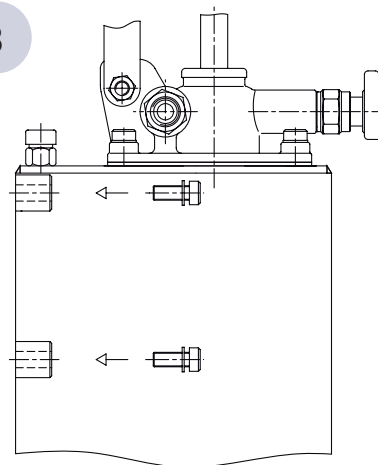
Insert the suction hose in the proper fitting.

2



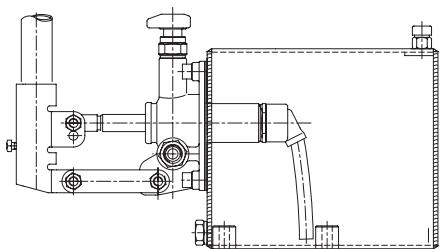
Put the rubber seal on the tank, position the pump, assemble the pump to the tank by means of the fixing screws kit.

3



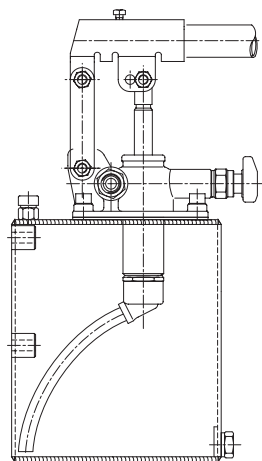
Place pump and tank in the position you need and fix them with nr.4 screws. You have to screw for at least 0,79 inch.
Connect pump delivery to the single or double acting circuit.

4



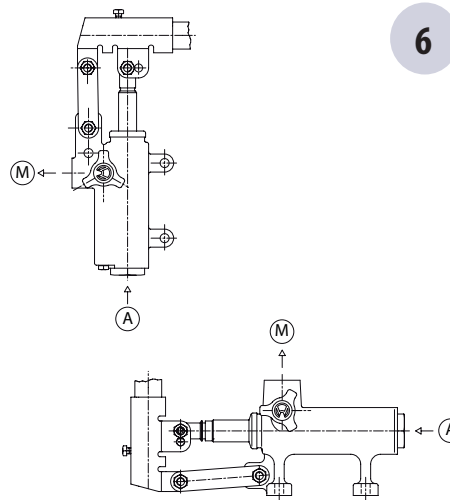
Horizontal mounting

5



Vertical mounting

6



Place pump horizontally or vertically and fix with proper screws.
Connect pump suction (A) and delivery (M) to the circuit.

 **Oleoweb**
HYDRAULIC VALVES AND COMPONENTS

**Hand pump use
and maintenance
booklet**



Ed. 2017

Oleoweb S.r.l. - Via L. Ariosto, 1
42023 CADELBOSCO DI SOPRA (Reggio Emilia) - Italy
sales@oleoweb.com - www.oleoweb.com


MADE IN ITALY

Use

For a good service of the pump, after having assembled the pump inside or on the tank in the proper way, please use only ISO6743/4 (DIN 51524), hydraulic mineral oil, viscosity according to ISO 3448 (DIN51519) standards.

Advised viscosity: 46 mm²/s (cSt)

Advised filtration: 15 µm

Contamination class: 18/14 ISO4406 (9 NAS 1638)

Maintenance

For a good service, we advise following periodical operations:

- Filter net cleaning
- Oil replacement

